

698 to 960 MHz + 1710 to 2700 MHz +
3300 to 6000 MHz Log Periodic Antenna, Low PIM,
10 to 11 dBi, V-pol, Type 4.3-10 Female connector

KP-LP1014-D4F



Features

- Frequency coverage for 698 MHz to 6000 MHz
- Very High Gain 11 dBi Low PIM Directional Antenna
- Each connector covers wide band of frequencies
- Easy Install universal mounting bracket provided
- Weatherproof ABS – UV Resistance PVC radome
- Pigtail - 8 inches
- Type 4.3-10 Female connector

Applications

- Point-to-point, LPWAN, LoRA, LTE-M, NB-IoT, IoT, CBRS, M2M applications
- 5G / 4G LTE B1 to B10, B12 to B20, B23, B22, B24, B25, B28 / 3G / GSM / AWS / WLAN/ CBRS operation supported
- 5G Bands supported
- DAS (Distributed Antenna Systems)
- IEEE 802.11a / b /g / n / ac / ad / ah/ ax Wi-Fi applications
- Public safety, utilities, CCTV and local radio coverage
- Smart cities expansion for coverage and IOT / IIOT

Description

The KP-LP1014-D4F from KP Performance Antennas is a high-performance log periodic antenna specifically designed to be aesthetically pleasing. The KP-LP1014-D4F operates from 698 to 6000 MHz for point-to-point applications, 5G, LTE, CMDA, LoRA, IoT, WIFI, where directivity and coverage are important. The KP Performance Antennas KP-LP1014-D4F has 11 dBi of gain which is ideal for boosting.

The KP Performance Antennas KP-LP1014-D4F has Vertical polarization, 65 horizontal beamwidth, and 50 vertical beamwidth for point-to-point communication. The included mounting brackets allow for either vertical or horizontal mounting configurations with easy install instructions. Where there is weak coverage and needs to reach further distances, log periodic antennas are an excellent option. The directional KP-LP1014-D4F antenna has 1 Type 4.3-10 Female connector on an 8 inches long pigtail.

KP Performance KP-LP1014-D4F log periodic antenna operates in 5G bands n1, n2, n3, n5, n7, n8, n12, n13, n14, n18, n20, n25, n26, n28, n29, n30, n34, n38, n39, n40, n41, n46, n47, n48, n53, n65, n66, n67, n67, n70, n71, n77, n78, n79, n80, n81, n82, n83, n84, n85, n86, n89, n90, n91, n92, n93, n94, n95, n96, n97, n98 with a 11 dBi max. This 698 to 6000 MHz 5G directional log periodic antenna with Type 4.3-10 Female connector. Our expert technical support and friendly, knowledgeable customer service personnel are available to assist you with your particular needs for high performance Log Periodic antenna engineered for superior performance antennas.

Configuration

Design	Log Periodic
Band Type	Multi
Radiation Pattern	Directional
Polarization	Vertical
Cable Type	RG58U
Cable Length	7.87 in [199.9 mm]
Connector Type	4.3-10 Female
Number of Ports	1

Electrical Specifications

Description	Minimum	Typical	Maximum	Units
Frequency Range	698		6,000	MHZ
Input VSWR		1.7:1	2:1	

Click the following link (or enter part number in "SEARCH" on website) to obtain additional part information including price, inventory and certifications: [698 to 960 MHz + 1710 to 2700 MHz + 3300 to 6000 MHz Log Periodic Antenna, Low PIM, 10 to 11 dBi, V-pol, Type 4.3-10 Female connector](#)

698 to 960 MHz + 1710 to 2700 MHz +
3300 to 6000 MHz Log Periodic Antenna, Low PIM,
10 to 11 dBi, V-pol, Type 4.3-10 Female connector

KP-LP1014-D4F



Impedance		50	Ohms
Gain	10	11	dBi
Horizontal Beamwidth	50	65	Degrees
Vertical Beamwidth	45	50	Degrees
Input Power		100	Watts

Specifications by Band

Description	Band 1	Band 2	Band 3	Band 4	Band 5	Units
Range	0.698 to 0.96	1.71 to 2.7	3.3 to 6			GHz
Gain	10	11	11			dBi
Horizontal HPBW	65	50	50			Degrees
Vertical HPBW	50	45	45			Degrees
VSWR Max	2:1	1.7:1	2:1			
Maximum Input Power	100	100	100			Watts

Mechanical Specifications

Radome Material	ABS
Width	8.27 in [210.06 mm]
Height	16.14 in [409.96 mm]
Weight	2.42 lbs [1.1 kg]

Environmental Specifications

Temperature	
Operating Range	-40 to +60 deg C
Wind Survivability	150 MPH [241.4 KPH]
Wind Loading	23.5 lbs at 100 MPH 36.2 lbs at 125 MPH

Plotted and Other Data

Notes:

Click the following link (or enter part number in "SEARCH" on website) to obtain additional part information including price, inventory and certifications: [698 to 960 MHz + 1710 to 2700 MHz + 3300 to 6000 MHz Log Periodic Antenna, Low PIM, 10 to 11 dBi, V-pol, Type 4.3-10 Female connector](#)

698 to 960 MHz + 1710 to 2700 MHz +
3300 to 6000 MHz Log Periodic Antenna, Low PIM,
10 to 11 dBi, V-pol, Type 4.3-10 Female connector

KP-LP1014-D4F



Appendix

Electrical Downtilt: Angle in the antenna's elevation pattern in which the maximum gain occurs.

Gain: Antenna's average gain.

Front to Back Ratio @ 180°±30°: Average difference between the antenna's maximum gain and the maximum gain in the antenna's back lobe over ±30° angles.

Cross-polarization Ratio (dB): Typical difference between the co-polarization and cross-polarization gain across the sector's 3 dB Beam Width.

Dedicated to serving the needs of the Wireless Internet Service Provider (WISP) market, KP Performance Antennas offers purpose built products that reliably perform in the field. KP Performance Antennas product line consists of Yagi, Grid, Omni, Dish and other style antennas that operate in the 900 MHz, 2.4 GHz, 3 GHz, and 5 GHz frequencies.

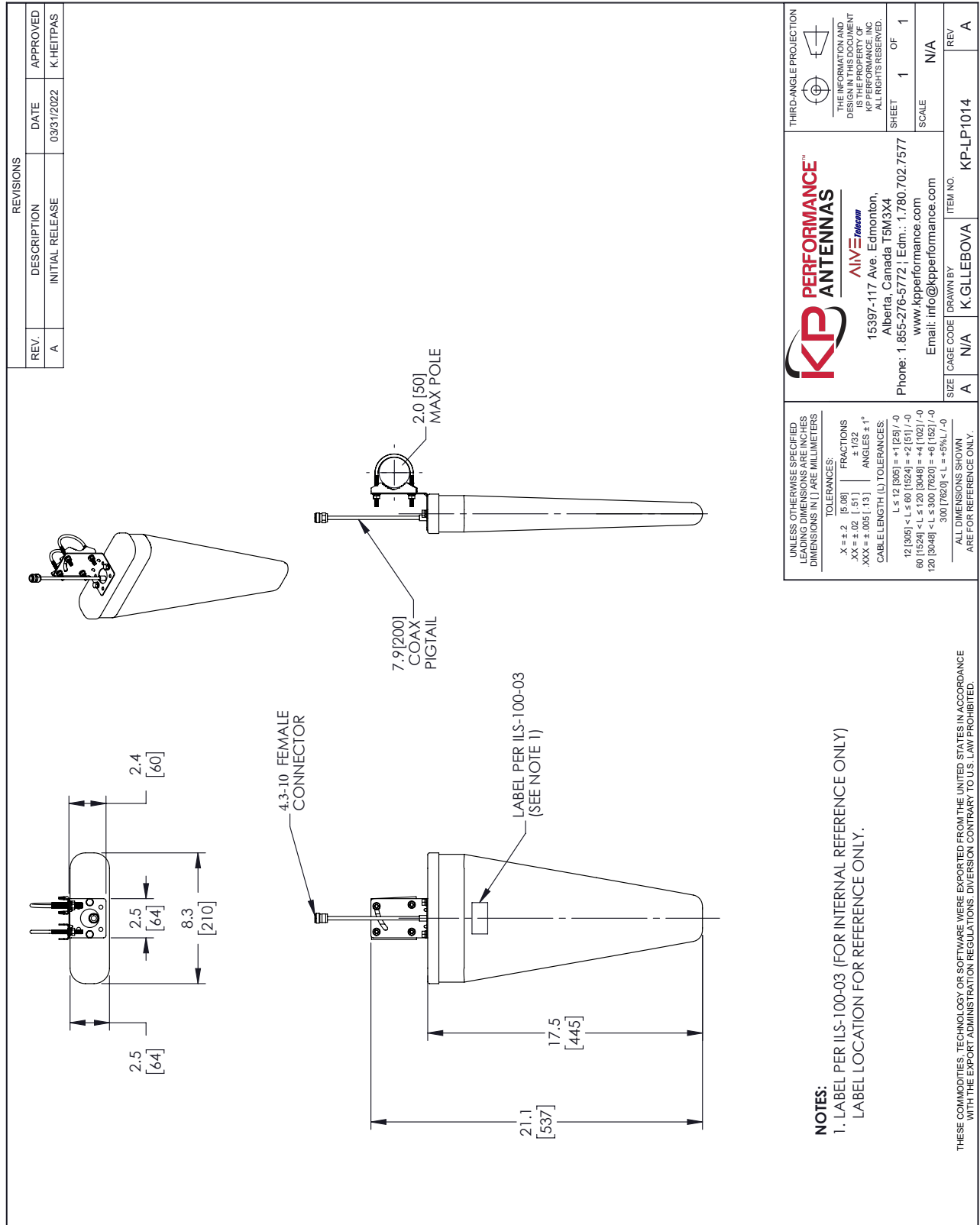
Click the following link (or enter part number in "SEARCH" on website) to obtain additional part information including price, inventory and certifications: [698 to 960 MHz + 1710 to 2700 MHz + 3300 to 6000 MHz Log Periodic Antenna, Low PIM, 10 to 11 dBi, V-pol, Type 4.3-10 Female connector](https://www.kpperformance.com/698-to-960-mhz-1710-to-2700-mhz-3300-to-6000-mhz-log-periodic-antenna-low-pim-10-to-11-dbi-v-pol-type-43-10-female-connector-kp-lp1014-d4f)

URL: <https://www.kpperformance.com/698-to-960-mhz-1710-to-2700-mhz-3300-to-6000-mhz-log-periodic-antenna-low-pim-10-to-11-dbi-v-pol-type-43-10-female-connector-kp-lp1014-d4f>

The information contained within this document is accurate to the best of our knowledge and representative of the part described herein. It may be necessary to make modifications to the part and/or the documentation of the part in order to implement improvements. KP Performance reserves the right to make such changes as required. Unless otherwise stated, all specifications are nominal. KP Performance does not make any representation or warranty regarding the suitability of the part described herein for any particular purpose, and KP Performance does not assume liability arising out of the use of any part or document.

698 to 960 MHz + 1710 to 2700 MHz + 3300 to 6000 MHz Log Periodic Antenna, Low PIM, 10 to 11 dBi, V-pol, Type 4.3-10 Female connector

KP-LP1014-D4F CAD Drawing



THESE COMMODITIES, TECHNOLOGY OR SOFTWARE WERE EXPORTED FROM THE UNITED STATES IN ACCORDANCE WITH THE EXPORT ADMINISTRATION REGULATIONS. DIVERSION CONTRARY TO U.S. LAW PROHIBITED.

T-Rev.D