

5725-7125MHz HV-POL

Model:KPPA-6GHZ-DPOMA

Electrical Data

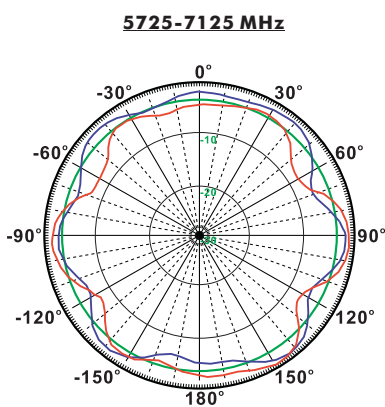
Frequency:	5725-7125 MHz
Gain:	9 dBi
VSWR:	<2.0
Polarization:	Horizontal and Vertical
Horizontal Beamwidth(6dB) :	360°
Vertical Beamwidth:	10°
Isolation:	>17dB
Cross-polar ratio:	>20dB
Nominal Impedance:	50 Ohms
Max Input Power:	50 W
Lightning Protection:	DC Ground

Mechanical Data

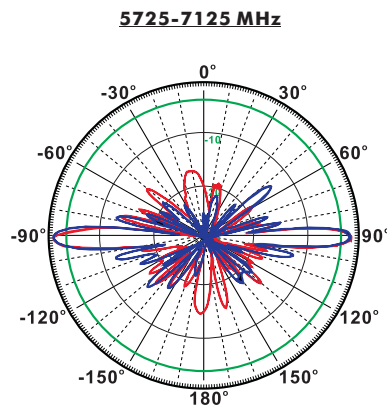
Connector :	2*N Female
Dimensions:	Ø99*585mm
(diameter*length)	Ø3.9*23in
Weight:	3.3kg/7.3lb
Radome Material:	UV Resistance PVC
Mounting Method:	Mast
Mast Size:	Ø40-Ø60mm
Rated Wind Velocity:	210km/h
Operating temperature:	-40~+65℃

Shipment Data

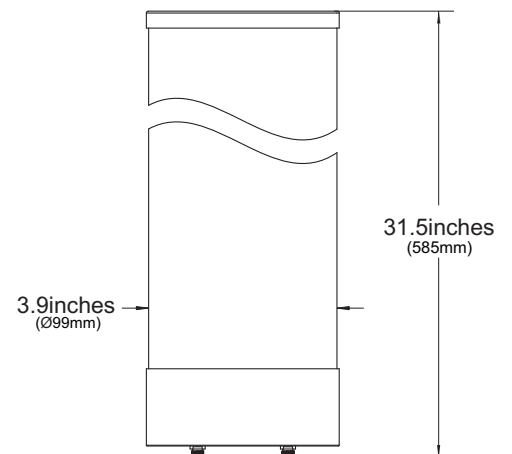
Packing Qty:	1 pc/Carton
Carton Size:	190*180*680mm
(length*width*height)	7.5*7.1*26.8in
Packing Weight:	3.9kg/8.6lb



Horizontal Beamwidth



Vertical Beamwidth



V-POL & H-POL
5725-7125MHz

