

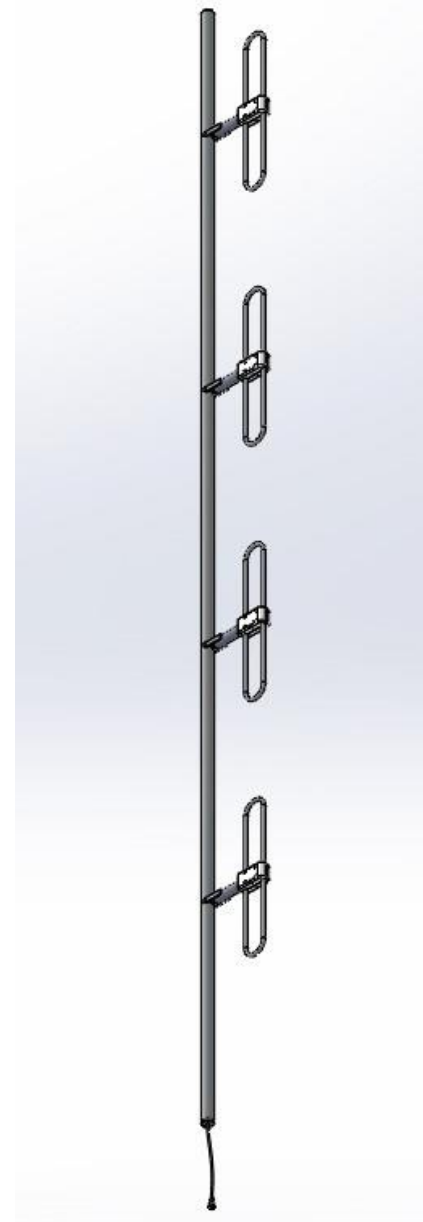
VHF Directional Exposed Dipole Antenna

- Broadband Performance covers entire band
- 100% Welded Construction
 - Increased Durability
 - Decreased Installation time
- Internally routed cable harness
 - Protects harness from elements and animals
 - Prevents damage during installation

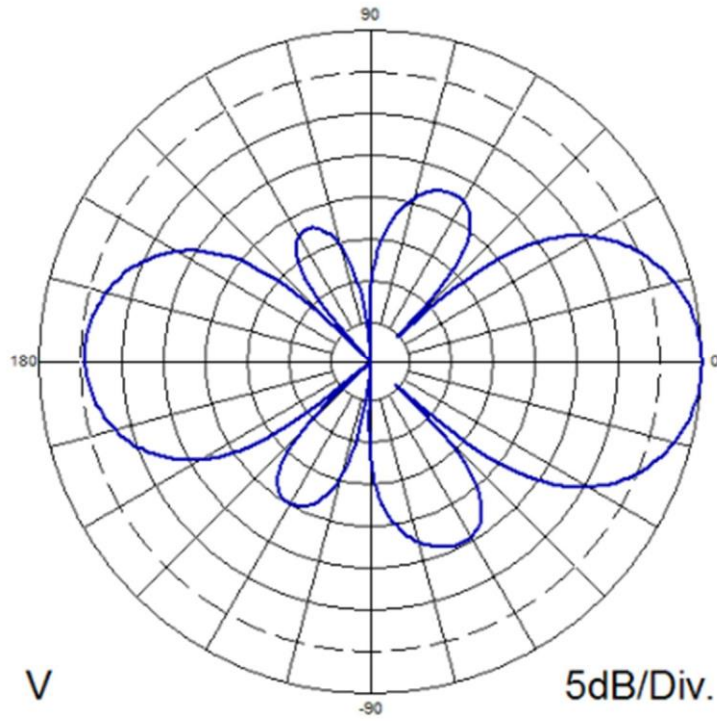
Electrical Specifications	
Frequency Range	137-174 MHz
Gain	5 dBd per input
VSWR (Return Loss)	<1.5:1 (14 dB)
Passive IM 3 rd Order (2x20W)	-150 dBc
Peak Instantaneous Power (PIP)	25 kW
Power Input	500 W
Vertical Beamwidth	35°
Horizontal Beamwidth	178°
Input	7-16 DIN-Female D7 4.3-10 DIN-Female D4 12" pigtails

Mechanical Specifications	
Configuration	2 dipoles (2 bays) per input Single-sided Single section Support
Length	240"
Weight	53 lbs
Shipping Weight	90 lbs
Shipping Dimensions	L 248" W 20" H 4"
Mounting Area	20.0" x 2.375" diam. Aluminum
Suggested Clamps (not included)	PLMTKIT-1

Environmental Specifications	
Temperature Range	-40° to 140°F (-40° to 60°C)
Wind Velocity (Max)	150 MPH
Wind Velocity -1/2" Ice (Max)	115 MPH
Projected Area	4.2 ft ² (no ice) 4.5 ft ² (with ice)
Lateral Thrust @ 100mph	168 lbs



Standard Elevation Pattern



Azimuth

