

## VHF Offset Pattern Exposed Dipole Antenna

- Broadband Performance covers entire band
- 100% Welded Construction
  - Increased Durability
  - Decreased Installation time
- Internally routed cable harness
  - Protects harness from elements and animals
  - Prevents damage during installation

### Electrical Specifications

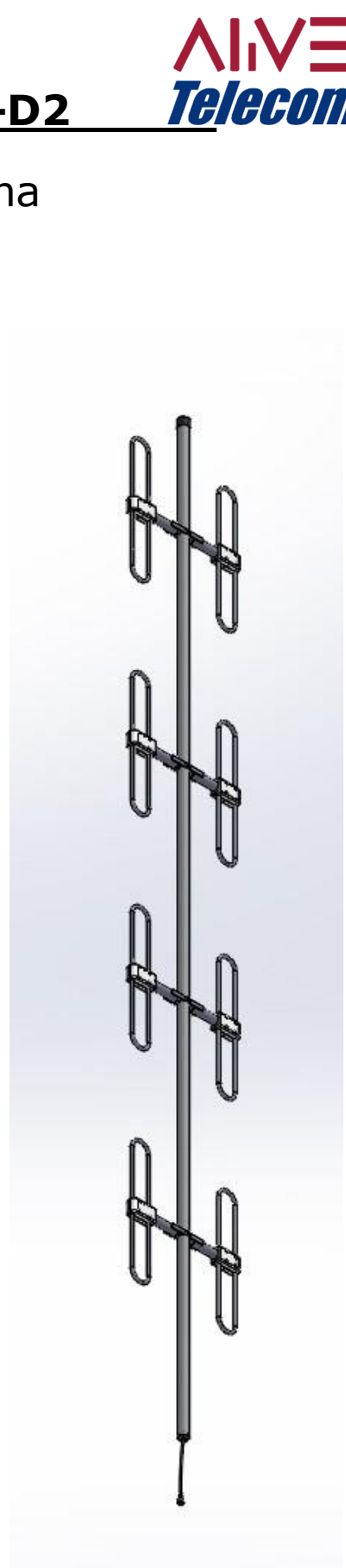
Frequency Range	137-174 MHz	
Gain	5 dBd per input	
VSWR (Return Loss)	<1.5:1 (14 dB)	
Passive IM 3 <sup>rd</sup> Order (2x20W)	-150 dBc	
Peak Instantaneous Power (PIP)	25 kW	
Power Input	500 W	
Vertical Beamwidth	35°	
Horizontal Beamwidth	104°	
Input	7-16 DIN-Female	D7
	4.3-10 DIN-Female	D4
	12" pigtails	
Beam Tilt	0° std. or -3°	

### Mechanical Specifications

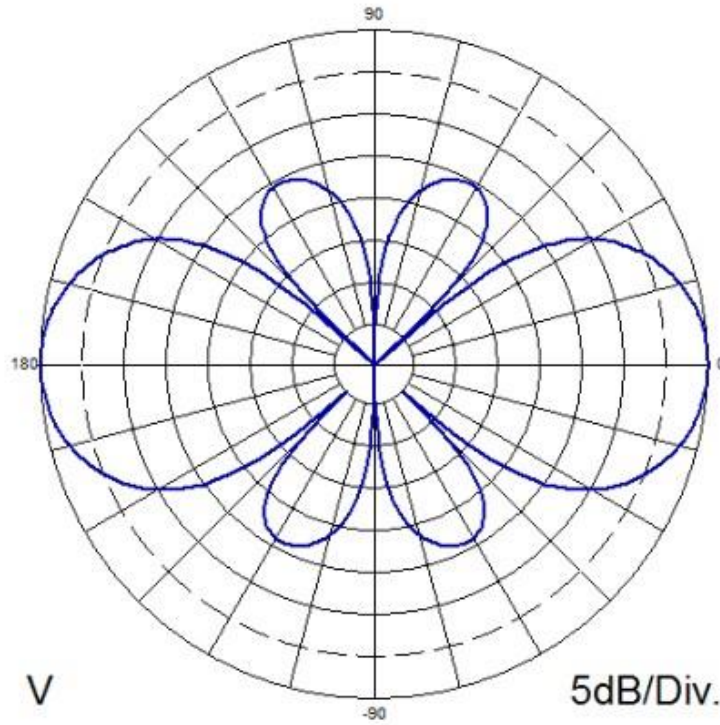
Configuration	4 dipoles (2 bays) per input Staggered Offset	
Length	240"	
Weight	53 lbs	
Shipping Weight	90 lbs	
Shipping Dimensions	L	248"
	W	26"
	H	4"
Mounting Area	20.0" x 2.375" diam. Aluminum	
Suggested Clamps (not included)	PLMTKIT-1	

### Environmental Specifications

Temperature Range	-40° to 140°F (-40° to 60°C)	
Wind Velocity (Max)	115 MPH	
Wind Velocity -1/2" Ice (Max)	90 MPH	
Projected Area	6.0 ft <sup>2</sup> (no ice)	
	6.4 ft <sup>2</sup> (with ice)	
Lateral Thrust @ 100mph	240 lbs	



**Standard Elevation Pattern**



**Azimuth**

