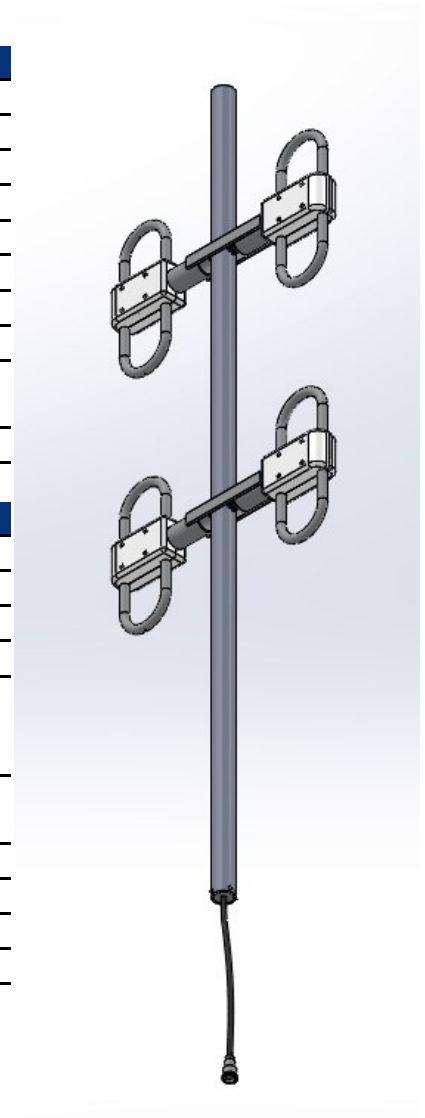




UHF Directional Exposed Dipole Antenna

Electrical Specifications	
Frequency Range	330-420 MHz
Gain	5 dBd
VSWR (Return Loss)	<1.5:1 (14 dB)
Passive IM 3 rd Order (2x20W)	-150 dBc
Peak Instantaneous Power (PIP)	25 kW
Power Input	500 W
Vertical Beamwidth	34°
Horizontal Beamwidth	70°
Input	7-16 DIN-Female D7 4.3-10 DIN-Female D4
Beam Tilt	

Mechanical Specifications	
Configuration	
Length	83"
Weight	11 lbs
Shipping Weight	lbs
Shipping Dimensions	L " W " H "
Projected Area	1.7 ft ² (no ice) 1.8 ft ² (with ice)
Lateral Thrust @ 100mph	68 lbs
Mounting Area	20.0" x 1.9" diam. Aluminum
Suggested Clamps (not included)	PLMTKIT
Wind Gust Rating	150 mph



Standard Elevation Pattern