

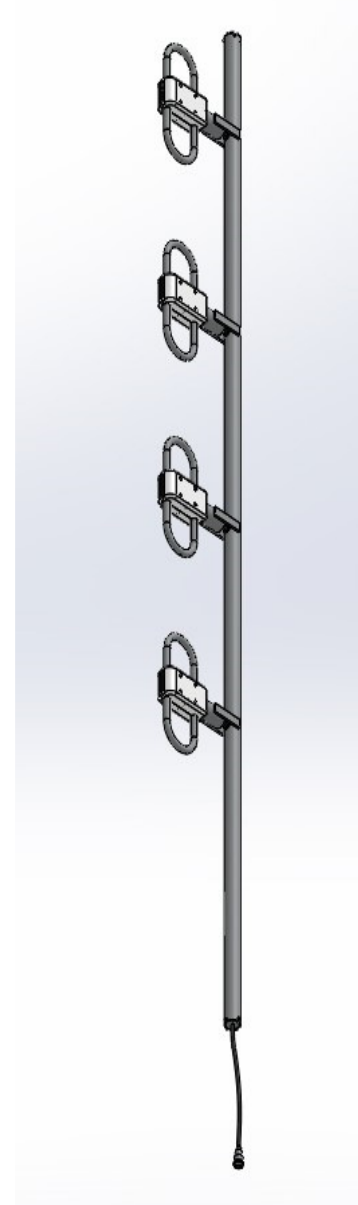
UHF Directional Exposed Dipole Antenna

- Broadband Performance covers entire band
- 100% Welded Construction
 - Increased Durability
 - Decreased Installation time
- Internally routed cable harness
 - Protects harness from elements and animals
 - Prevents damage during installation

| Electrical Specifications | |
|--|--|
| Frequency Range | 330-420 MHz |
| Gain | 9 dBd |
| VSWR (Return Loss) | <1.5:1 (14 dB) |
| Passive IM 3 rd Order (2x20W) | -150 dBc |
| Peak Instantaneous Power (PIP) | 25 kW |
| Power Input | 500 W |
| Vertical Beamwidth | 17° |
| Horizontal Beamwidth | 173° |
| Input | 7-16 DIN-Female D7 4.3-10 DIN-Female D4 |

| Mechanical Specifications | |
|---------------------------------|--|
| Configuration | 4 Dipoles (4 Bays) Single-sided Single section support |
| Length | 118" |
| Weight | 14 lbs |
| Shipping Weight | lbs |
| Shipping Dimensions | L " W " H " |
| Mounting Area | 20.0" x 1.9" diam. Aluminum |
| Suggested Clamps (not included) | PLMTKIT |

| Environmental Specifications | |
|-------------------------------|--|
| Temperature Range | -40° to 140°F (-40° to 60°C) |
| Wind Velocity (Max) | 150 MPH |
| Wind Velocity -1/2" Ice (Max) | 125 MPH |
| Projected Area | 2.0 ft ² (no ice) 2.1 ft ² (with ice) |
| Lateral Thrust @ 100mph | 80 lbs |



Standard Elevation Pattern

